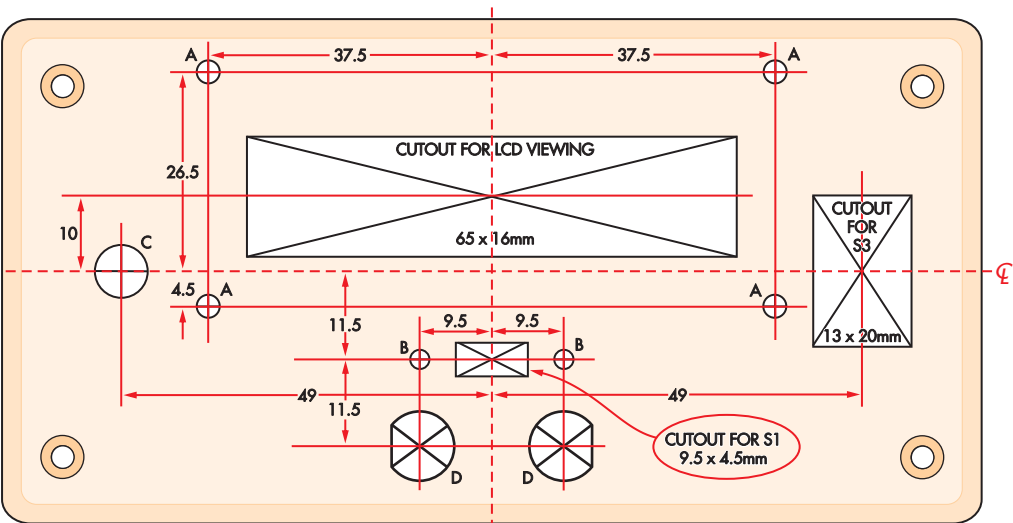


HOLES A: 2.5mm DIAMETER
HOLE B: 12mm DIAMETER

ALL DIMENSIONS IN MILLIMETRES



HOLES A: 3mm DIAMETER; HOLES B: 2.5mm DIAMETER
HOLE C: 7mm DIAMETER; HOLES D: 9mm DIAMETER WITH FLAT

ALL DIMENSIONS IN MILLIMETRES