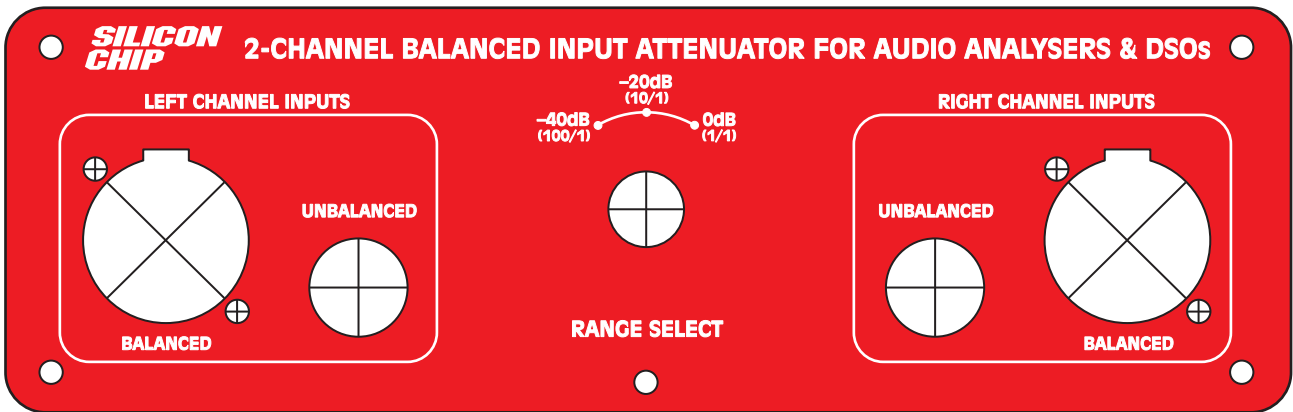
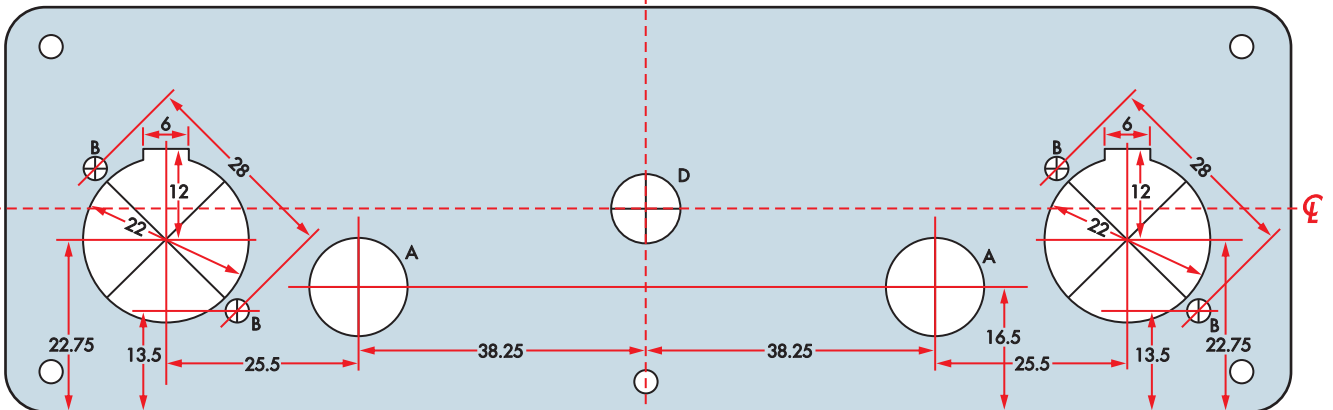
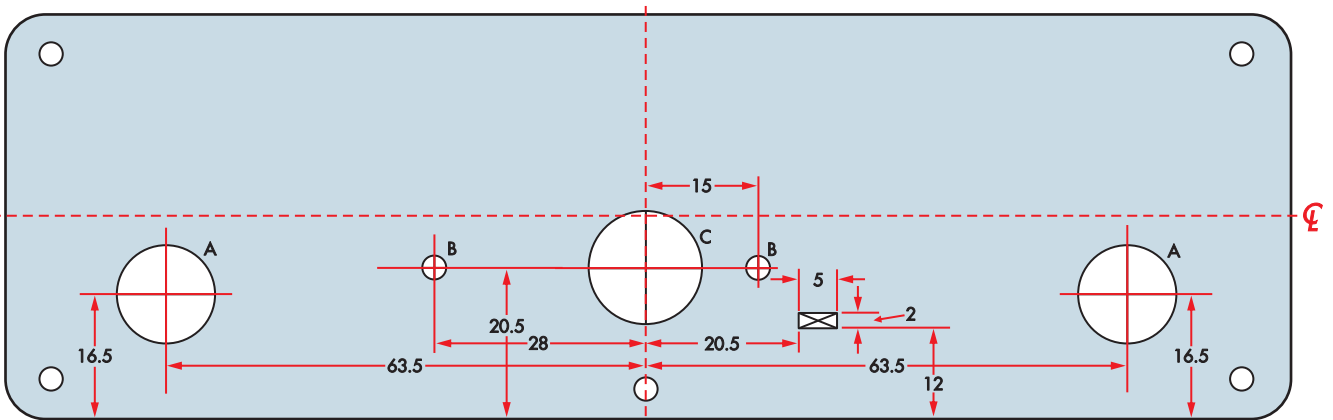


REAR PANEL



FRONT PANEL



HOLES A: 13.0mm DIAMETER HOLE C: 15.0mm DIAMETER
HOLES B: 3.0mm DIAMETER HOLE D: 10.0mm DIAMETER